

**SPECIFICATIONS**

Switch Function	SPST, SPDT
Electrical Ratings	15A @ 125VAC 8A @ 250VAC
Electrical Life	10,000 cycles typical
Contact Resistance	< 50 mΩ initial
Dielectric Strength	1500Vrms min
Insulation Resistance	> 100MΩ min
Operating Temperature	-40°C to 85°C
Storage Temperature	-40°C to 85°C



**RA** US - 222871

**MATERIALS**

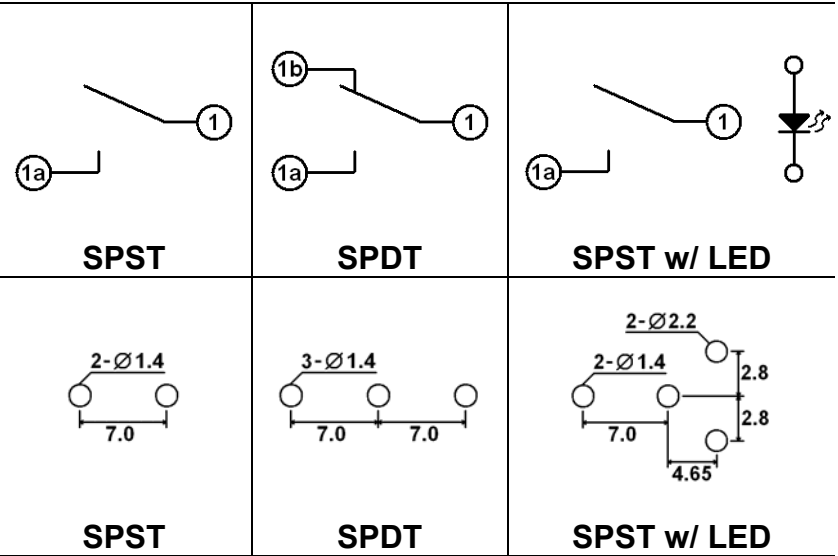
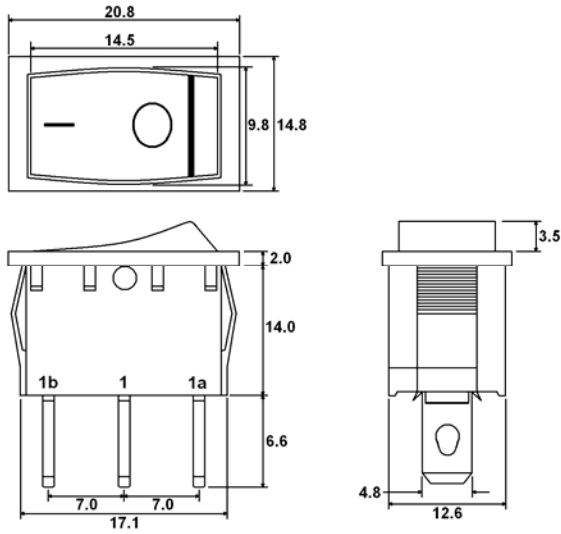
Actuator	6/6 Nylon
Housing	6/6 Nylon
Contacts	Silver Alloy
Terminals	Brass, Sn Plated

**ORDERING INFORMATION**

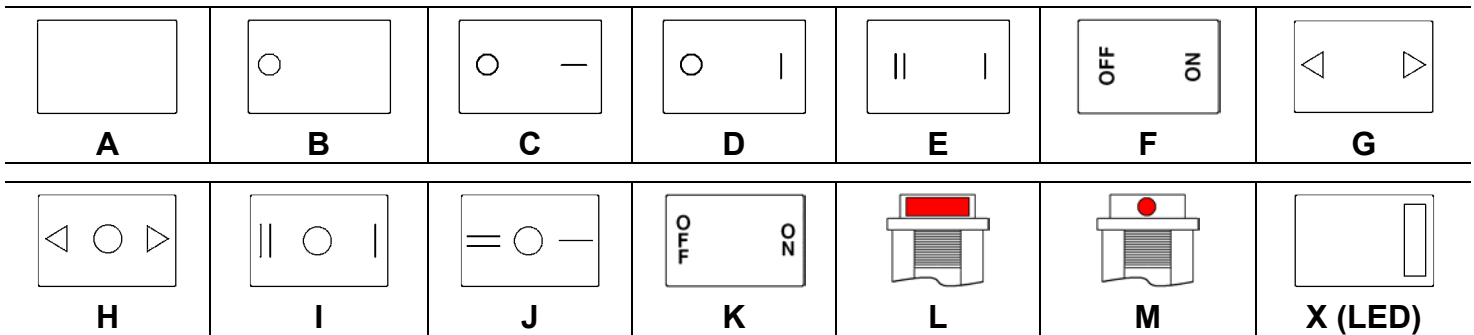
<b>1. Series:</b> RA	RA	1	1	2	2	C	W	C
<b>2. Number of Poles:</b> 1 = Single Pole								
<b>3. Switch Function:</b> 1 = OFF-ON <b>**LED only available with this function</b> 2 = OFF-(ON) 3 = (OFF)-ON 4 = ON-ON 5 = ON-(ON) 6 = ON-OFF-ON 7 = (ON)-OFF-(ON) 8 = ON-OFF-(ON)								
<b>4. Housing Color:</b> 1 = White 2 = Black 9 = Gray								
<b>5. Actuator Color:</b> 1 = White 2 = Black 3 = Red 6 = Orange 7 = Blue 9 = Gray								
<b>6. Actuator Marking:</b> A D G J M B E H K X <b>**X marking used with LED only</b> C F I L								
<b>7. Actuator Marking Color:</b> Blank = No Marking <b>**Use this option for X actuator marking (LED)</b> B = Black W = White R = Red								
<b>8. Terminal Options:</b> C = .187" Quick Connects / Solder Lug P = PC Pins R = Right Angle PC Pins <b>** Not available with LED option</b> L = Left Angle PC Pins <b>** Not available with LED option</b>								
<b>9. LED Options: (For use with ON-OFF function &amp; "X" actuator marking only)</b> Blank = No LED R = Red B = Blue Y = Yellow G = Green								

**DIMENSIONS**

**SCHEMATICS & PC LAYOUTS**



**ACTUATOR MARKING OPTIONS**



**TERMINAL OPTIONS**

